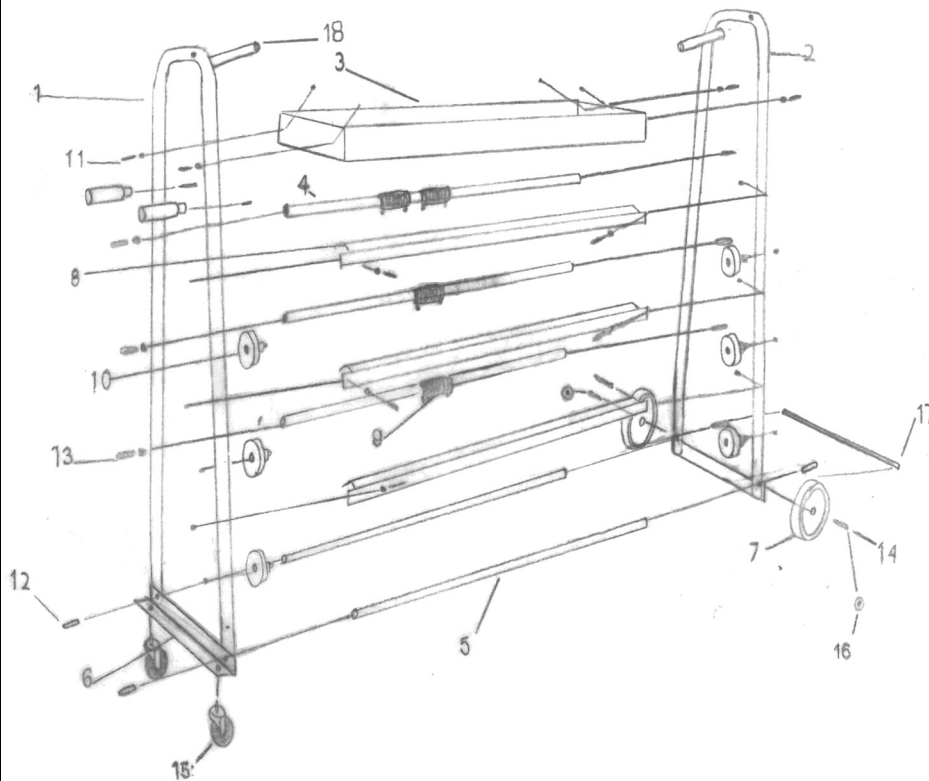


Model:
2002C

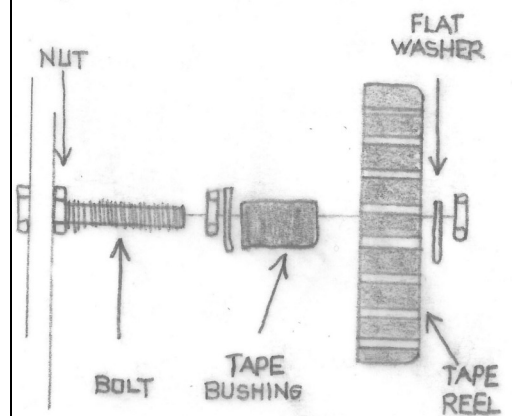
Product Type:
Painters Masking Cart

Call 1.800.237.6913 for questions regarding assembly or other inquires or our [YouTube](#) page.

Manufacturers Manufacturer Inc.



Tape Reel Assembly



- 1) Attach tray, Frame A and Frame B together with provided nuts, bolts and washers.
- 2) Attach bottom pipe (long) and Bottom Bars (short) to Frame A and Frame B.
- 3) Attach Cutting Blade to Frame A and Frame B using provide nuts, bolts and washers.
- 4) Attach Tape Reel Assemblies to Frame A and Frame B with provided nuts, bolts and washers.
- 5) Attach Paper Roller Assemblies to Paper Bars.
- 6) Attach Paper Bars with Paper Roller Assemblies to Frame A and Frame B.
- 7) Attach Wheel (15) to Bottom Bar attached to Frame A
- 8) Attach Wheel(7) to Frame B using Axle(17) and Wheel Bushing then attach Hub Cap.
- 9) Attach Sand Paper Holder(18) to Frame A and Frame B.

Parts List

Index	Description	Qty	Index	Description	Qty
1	Frame A	1	10	Tape Reels	6
2	Frame B	1	11	M6 Screw Assemblies	10
3	Tray	1	12	M10 Screw Assemblies	4
4	Paper Bar	3	13	Knob	3
5	Bottom Pipe (Long)	2	14	Wheel Bushing	2
6	Bottom Bar (Short)	2	15	Wheel	2
7	Wheel	2	16	Hub Cap	2
8	Cutting Blade	3	17	Axle	1
9	Paper Roller Assembly	4	18	Sand Paper Holder	2

Paper Threading Diagram

