

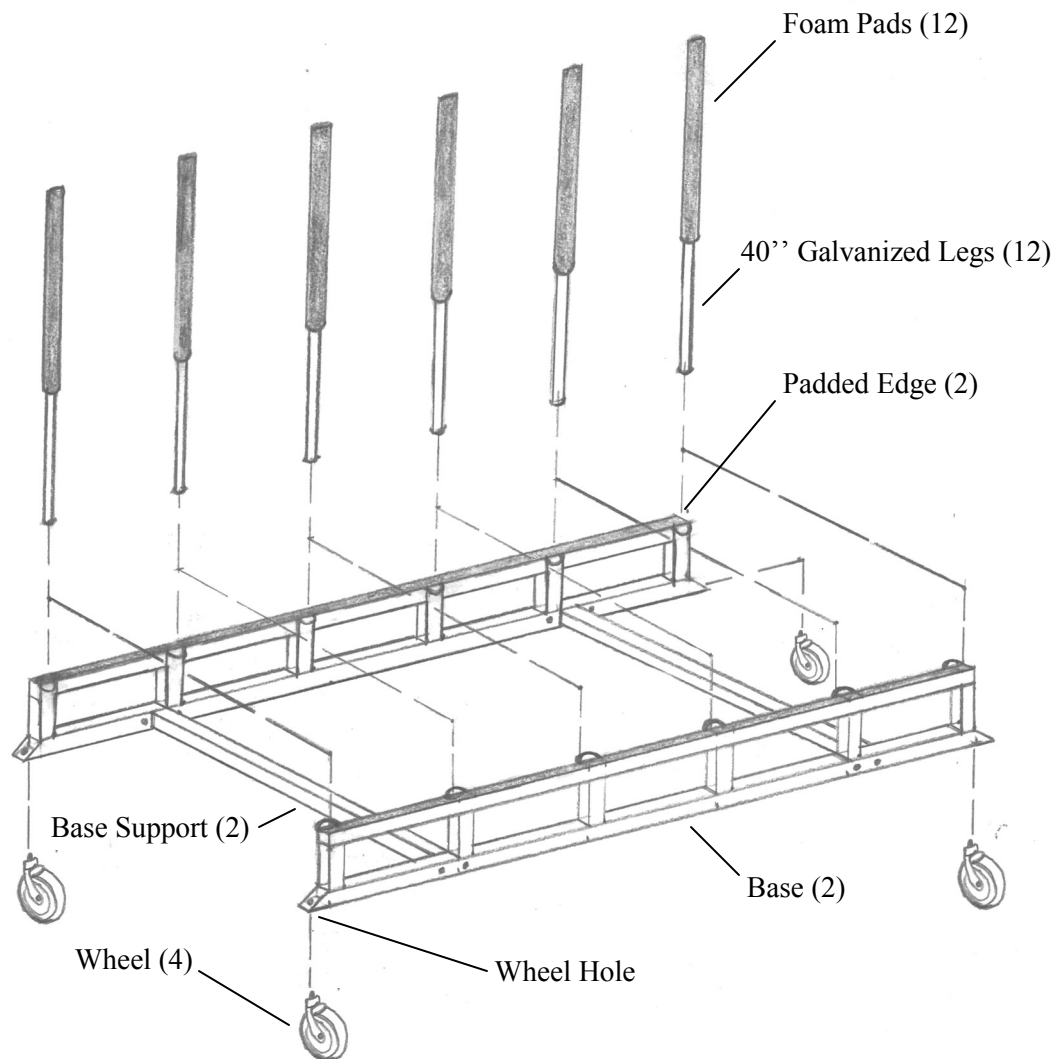
Model:

2016

Product Type:

Hood Handler

Call 1.800.237.6913 for questions regarding assembly or other inquiries.



Directions:

Step 1: Place each base on table with padded edges out. Bolt Base and Base Support together using 5/16" x 18 x 1 3/4" Bolts, 5/16" Washers and 5/16 Nuts per diagram. Tighten at this time.

Note: Be sure unit is on a flat, level surface before tightening all 8 bolts.

Step 2: Bolt the 4 wheels on to the base using 1/2" lock washer and 1/2" nuts.

Step 3: Slide padded legs into base.