

**MANUFACTURER'S MANUFACTURER, INC.
ITEM # 3403 3-ROLL SIDE LOAD MASKER**

- Step 1 Bolt 18" paper bar roller to paper bar frame using (2) 1/4" x 20 x 1" bolt, and nut, tighten at this time.
- Step 2 Bolt back wheel frame brace to cutter bar frame and paper bar frame using (2) 5/16" x 18 x 1 3/4" bolts (Do Not Tighten at this time)
- Step 3 Bolt front brace to front of cutter bar frame and paper bar frame using (2) 5/16" x 18 x 1 3/4" bolt. (Do Not Tighten at this time)
- Step 4 Bolt Handle to cutter bar frame and paper bar frame using (2) 1/4" x 20 x 1 1/4" bolts and nuts. Level unit and tighten all bolts at this time.
- Step 5 Install 9" cutter bar on to the top bar on the cutter bar frame using (2) 1/4" x 20 x 1" bolt and nut. Tighten at this time.
- Step 6 Install 15" cutter bar on to the middle bar on the cutter bar frame using (2) 1/4" x 20 x 1" bolt and nut. Tighten at this time.
- Step 7 Install 21" cutter bar on to the bottom bar on the cutter bar frame using (2) 1/4" x 20 x 1" bolt and nut. Tighten at this time.
- Step 8 Install 4 1/2" spring on 9" cutter bar.
- Step 9 Install 9" spring on 15" cutter bar.
- Step 10 Install 9" spring on 21" cutter bar.
- Step 11 Install crutch tips on the ends of the front brace.
- Step 12 Slide axle thru the back wheel frame brace, slide wheels on axle and tap on axle caps.
- Step 13 Tape Reel Assembly - Install tape reel assembly per diagram 2.
- Step 14 Paper Bar Assembly – Install paper per diagram 3
- Step 15 Align the tape to paper, leaving 1/2 of the tape on the paper and 1/2 of the tape for the edge to stick to the car.

If you have any questions regarding assembly,
Please call 800-237-6913

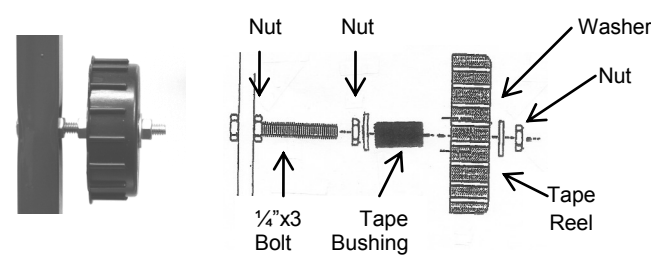
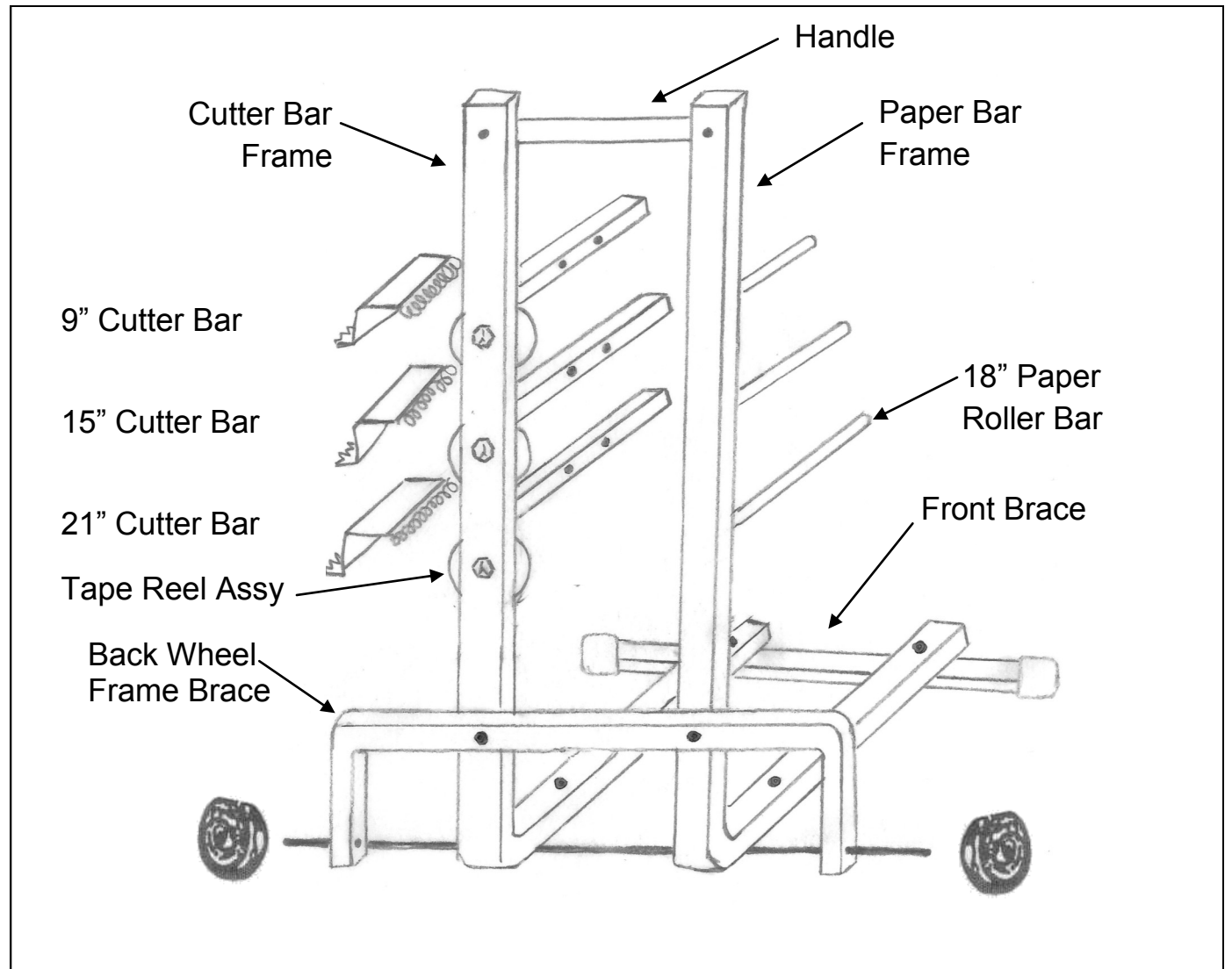


Diagram 2 - Tape Reel

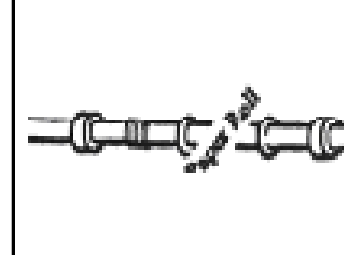


Diagram 3 - Paper Bar



Paper & Tape Threading