

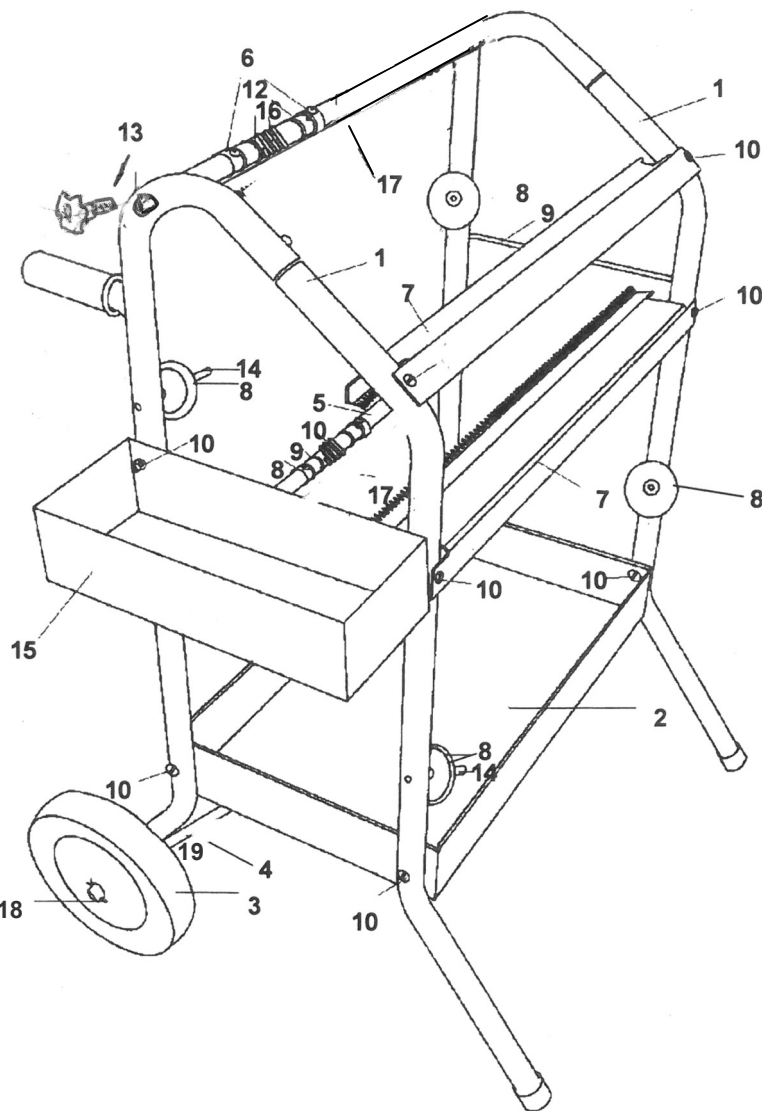
Model:

**MM18**

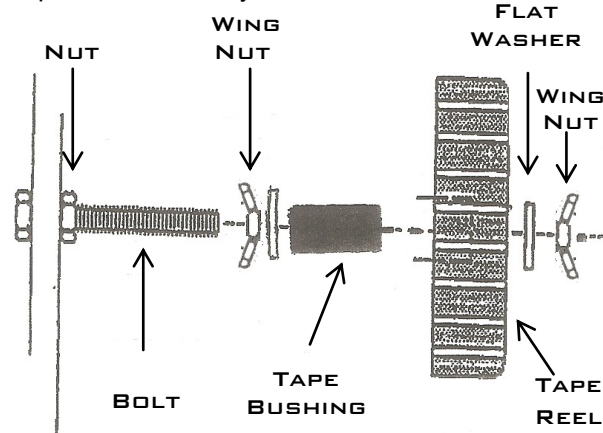
Product Type:

**18" MASKING MACHINE**

Call 1.800.237.6913 for questions regarding assembly or other inquiries.



Tape Reel Assembly



Assembly Instructions

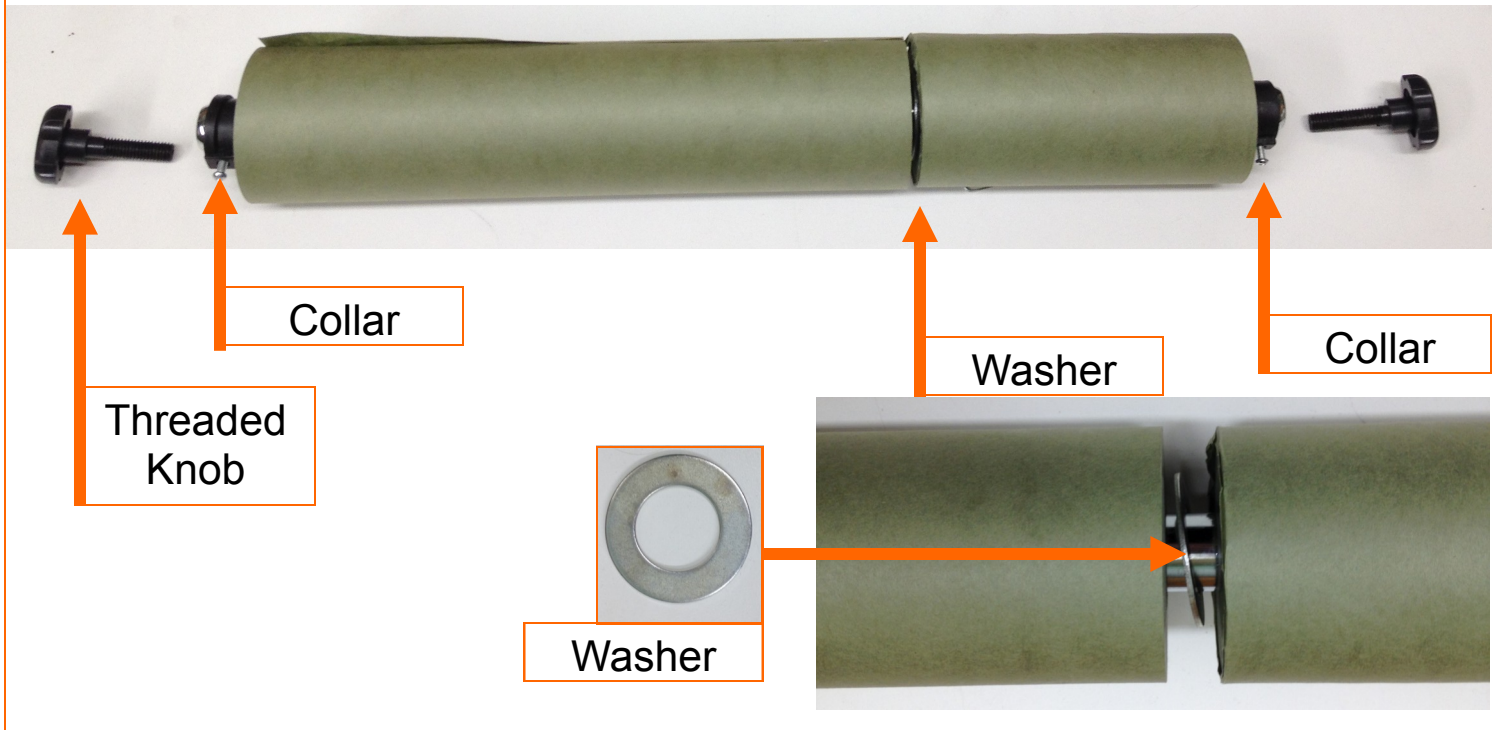
1. Assemble The Frame (1)
2. Attach Large tool tray (2) to Frame (1) with M 6x 35 (10)
3. Slide Axle (4) through the Frame (1). Install black snap ring on to axle (19). Slide on wheel (3) and screw on axle cap (18).
4. Swivel the Adjusting Collar with Screw (6) onto the Paper Alignment Bars (5) with Ring (12) along with Big Spring (16) and Long Spring (17).
5. Attach the Paper Alignment Bars (5) onto the Frame (1) using Threaded Knob (13).
6. Attach the Steel Cutting Blades (7) to the front of the Frame (1) with M6 x 35(10).
7. Attach the Tape Reels (8) onto the Frame (1) with M6 x 88 (14).
8. Place Steel Bar (9) for hanging paint guns onto the right side of the Frame (1).
9. Attach the Small Tool Tray (15) onto the left side of the Frame (1) with M6 x 35 (10).

Parts List

Index No.	Part No.	Description	Qty
1	MM18-1	Frame	2
2	MM18-2	Large Tool Tray	1
3	MM18-3	Wheels	2
4	MM18-4	Axle	1
5	MM18-5	Paper Alignment Bars	2
6	MM18-6	Adjusting Collar with Screw	4
7	MM18-7	Steel Cutting Blades	2
8	MM18-8	Tape Reels	4
9	MM18-9	Steel Bar	1

Index No.	Part No.	Description	Qty
10	MM18-10	M6 X 35	10
12	MM18-12	Large Washer	4
13	MM18-13	Threaded Knob	4
14	MM18-14	M6 X 88	4
15	MM18-15	Small Tool Tray	1
16	MM18-16	Big Spring	3
17	MM18-17	Long Spring	2
18	MM18-18	Axle Cap Nut	2
19	MM18-19	Black Snap Ring	2

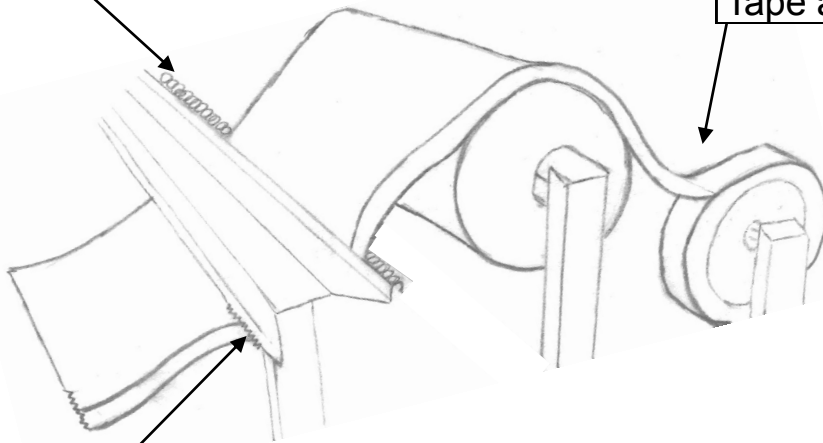
When using 6" & 12" paper, position paper on paper roll, per diagram.



## Paper Threading Diagram

Thread the Masking Paper and Tape between the spring and cutter bar.

Direction of Masking Tape and Paper



Make sure the masking tape is adjusted properly so that the serrated edge of the cutter bar cuts the masking tape.